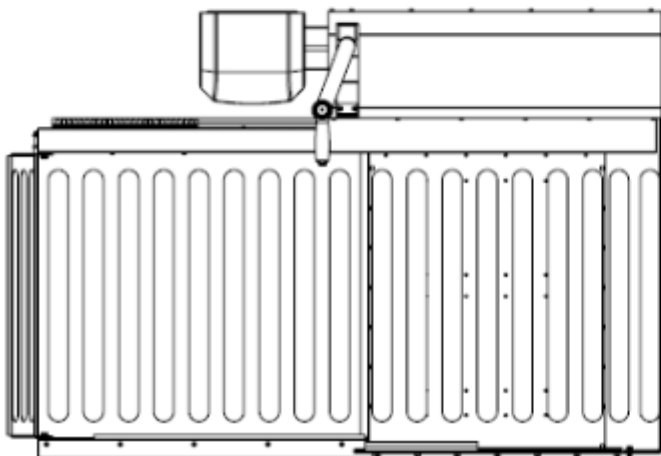
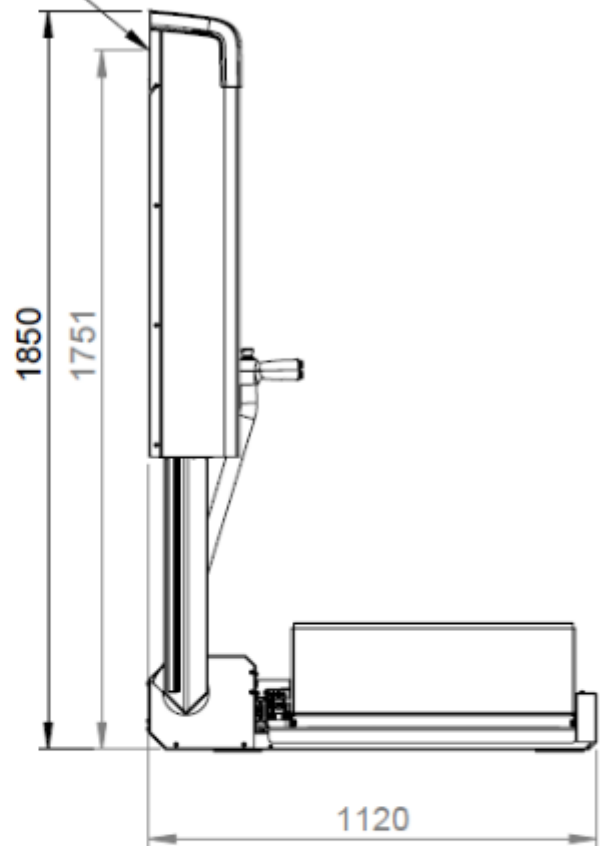
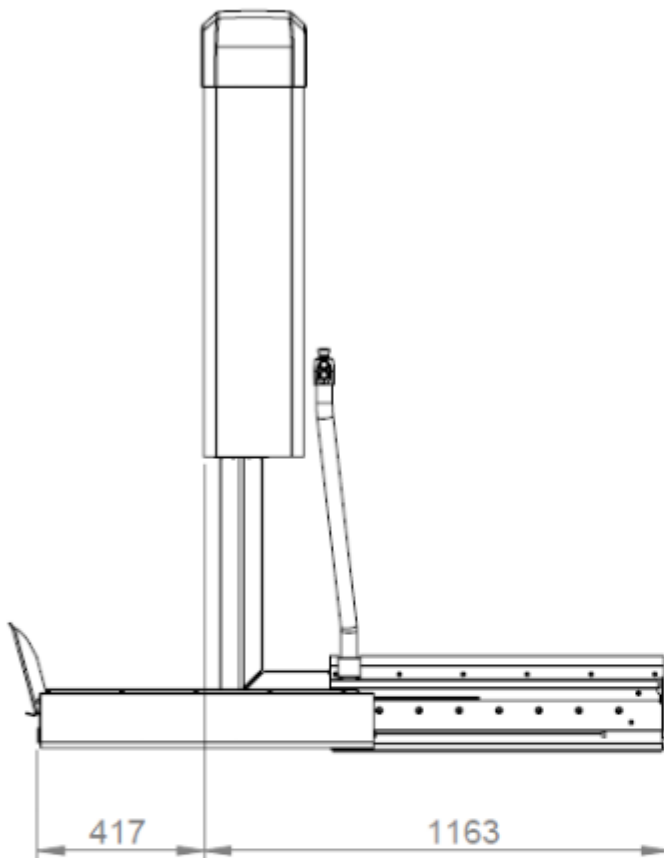


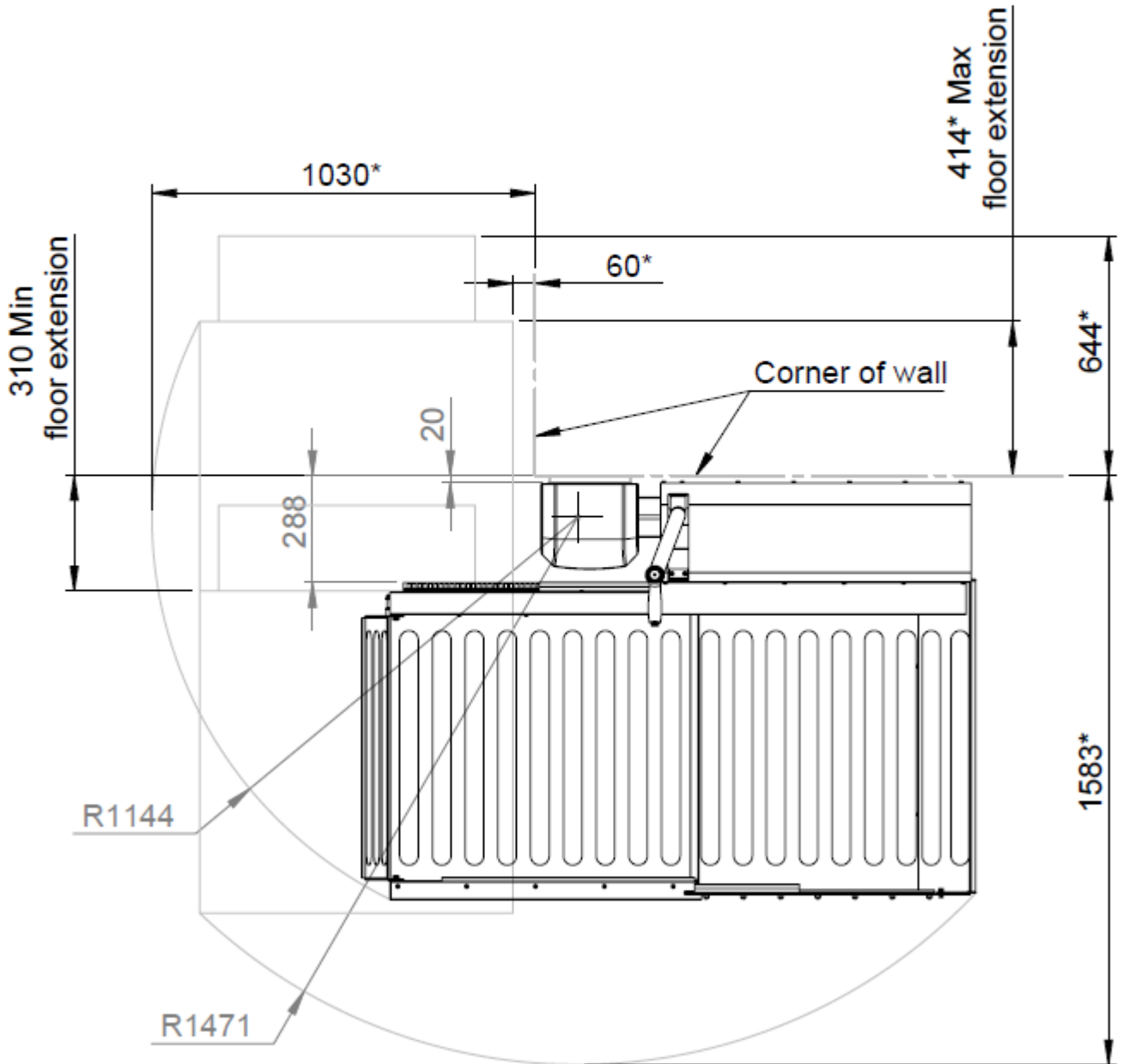
# Dimensions

Power 230/240 V



Technical data Swing On  
Engine: 36V DC, battery power  
Power supply: 230/240V, single  
phase 3 Amp  
Speed: 0,01-0,02m/s  
Max load: 300kg  
Installation weight: 150kg  
Platform size: 700 x 1400mm  
Lifting height: max 500mm

# Turning radius



**Wall fastening plate.**  
**Long version**

