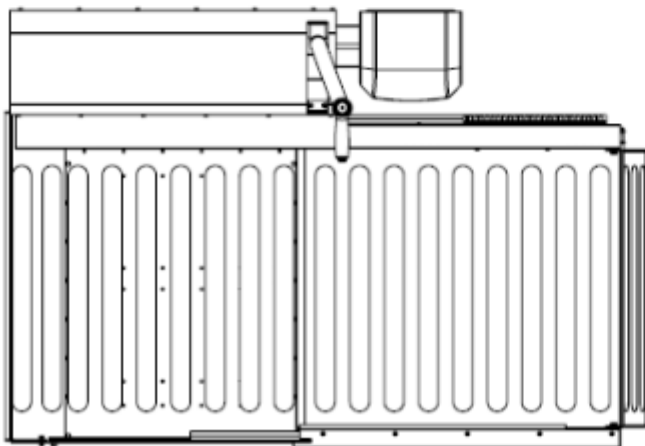
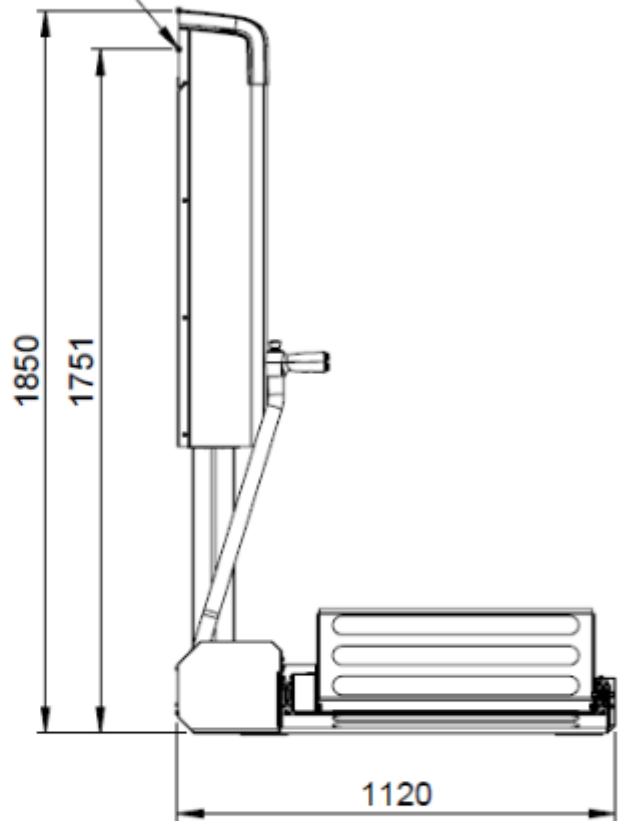
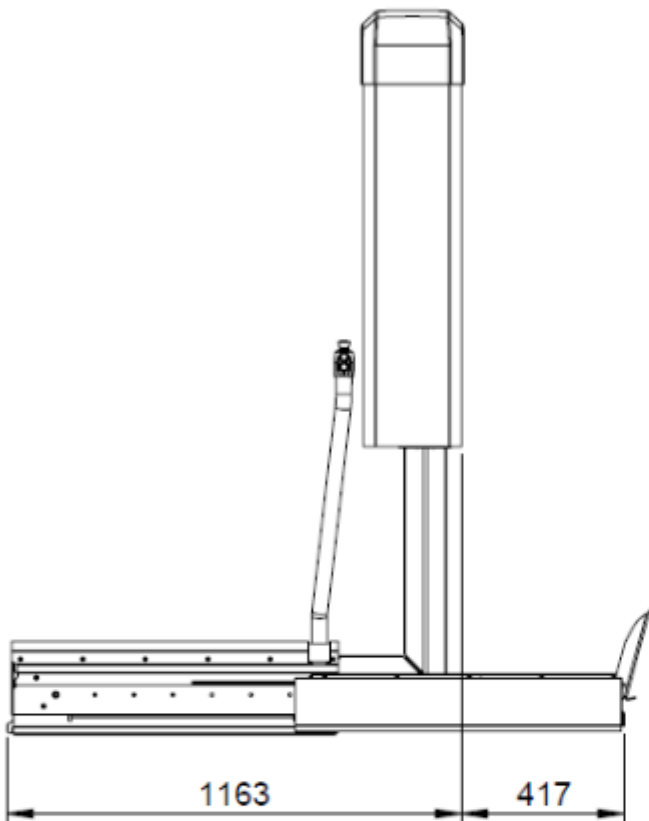


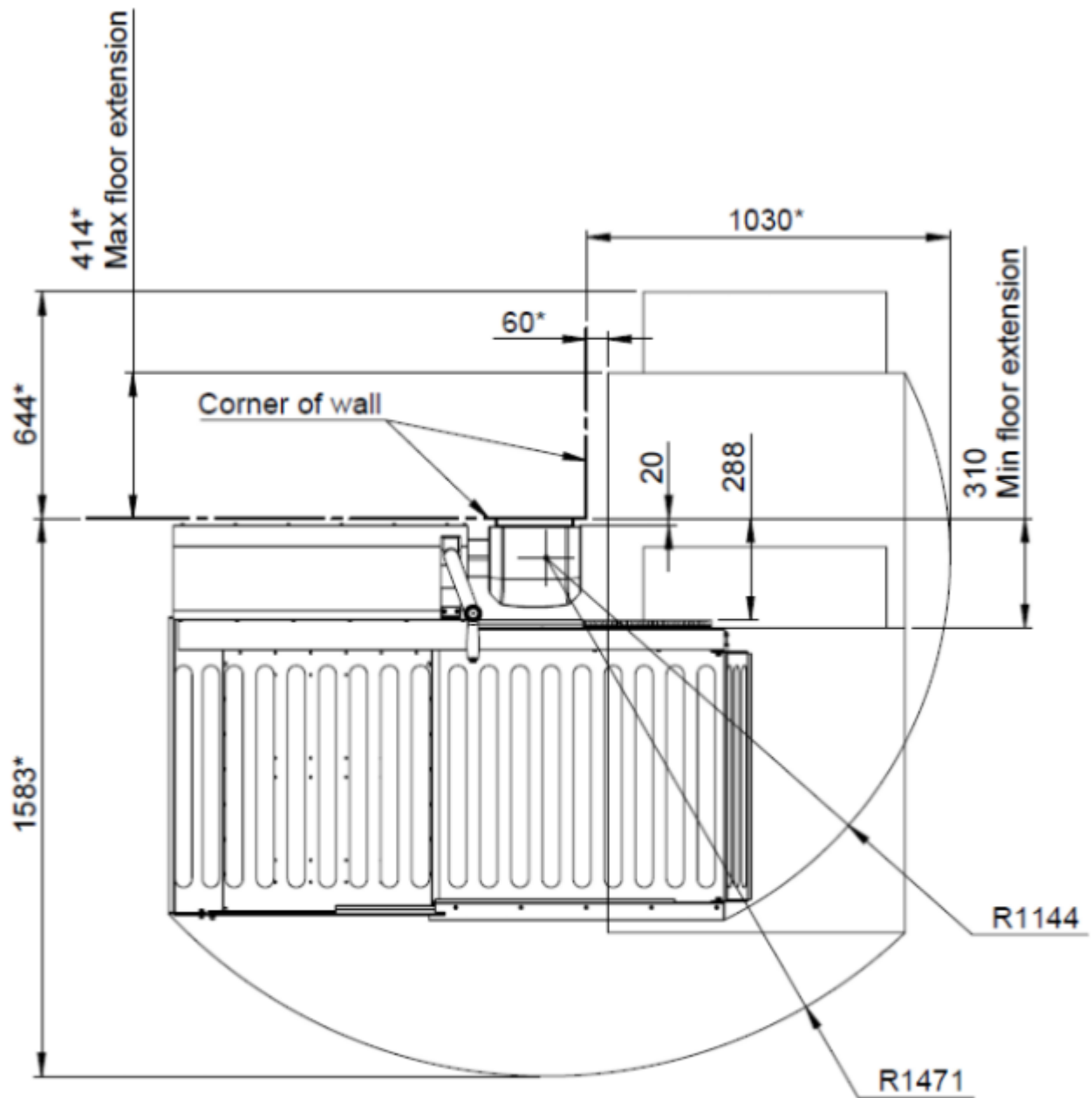
Dimensions

Power 230/240 V



Technical data Swing On
Engine: 36V DC, battery power
Power supply: 230/240V, single phase 3 Amp
Speed: 0,01-0,02m/s
Max load: 300kg
Installation weight: 150kg
Platform size: 700 x 1400mm
Lifting height: max 500mm

Turning radius



* The dimension is depending on the fastening kit and type of wall material.

**Wall fastening
plate
Long version**

