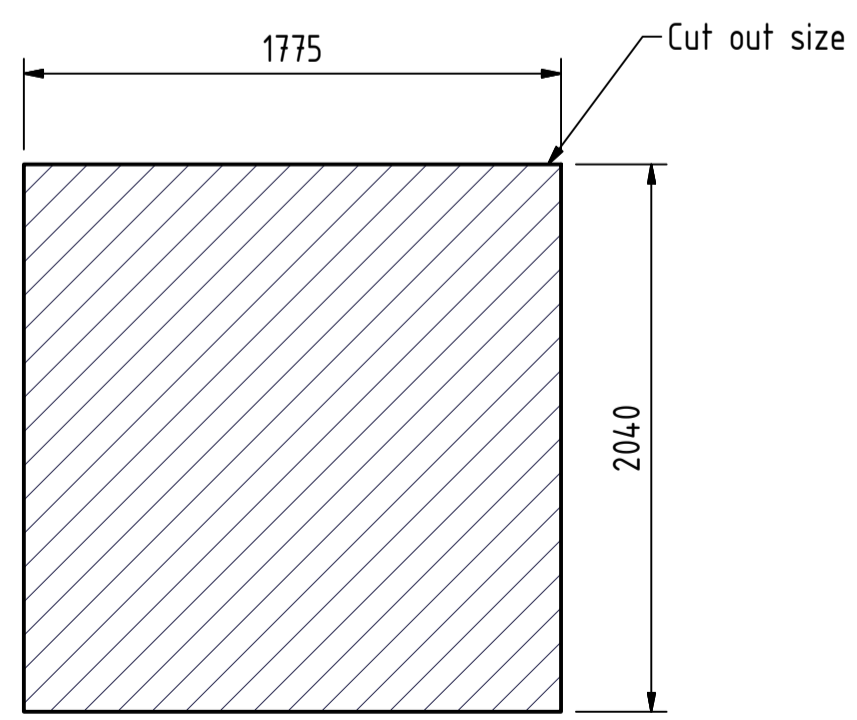
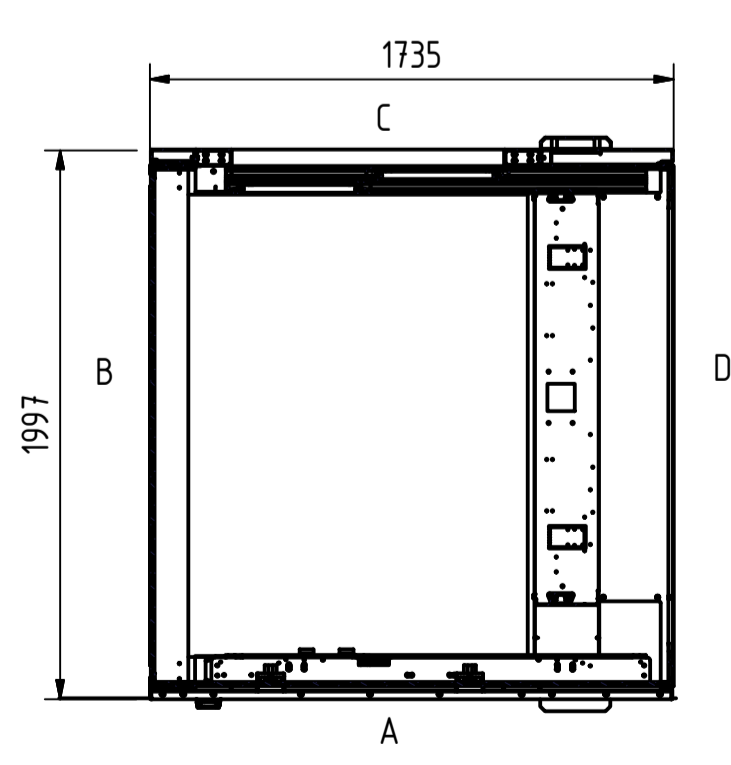


A-A (1 : 25)



Important note:
 *Generic drawing to be used for quotes
 *Specific drawing will be supplied upon order