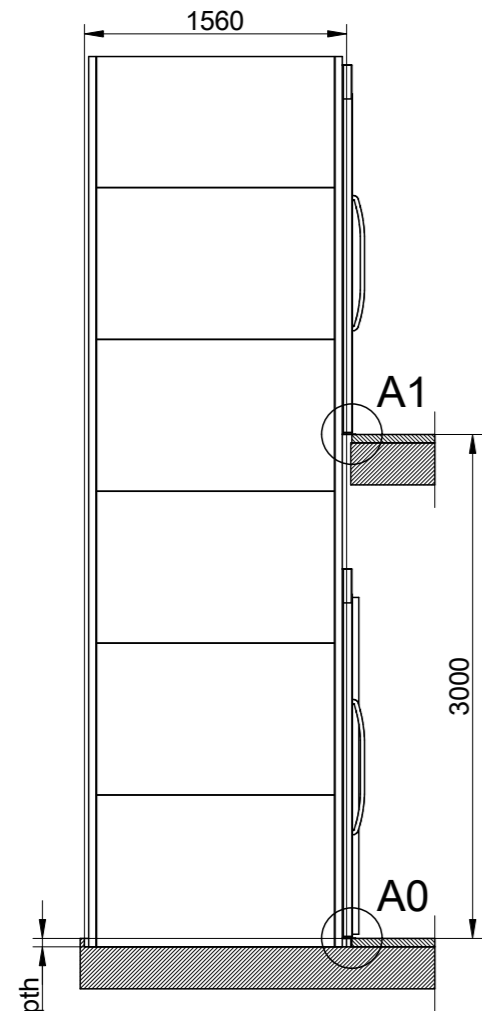


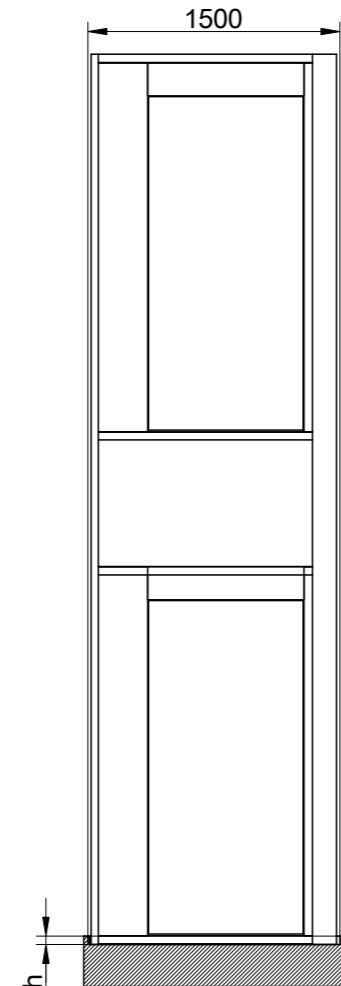
Shaft cutout sizes

Clear space required for lift unit not in a shaft by others

Door front cutout sizes		
Landing	Width	Height
A 0	1500	2250
A 1	1500	2250

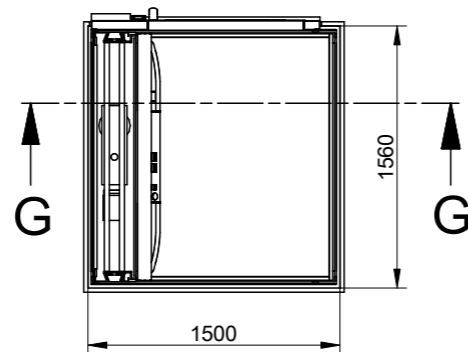
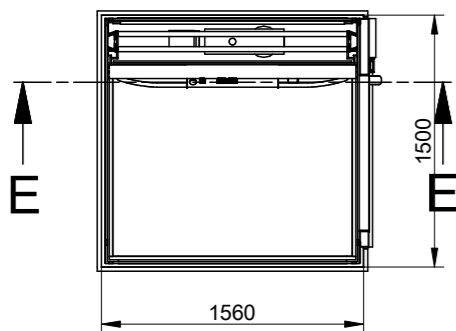


Section E-E

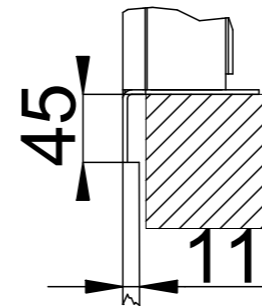


Section G-G

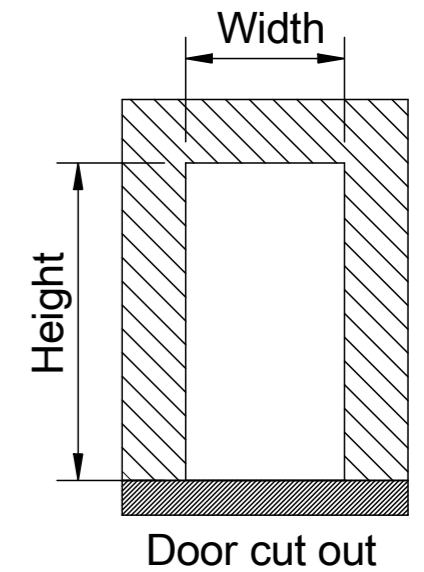
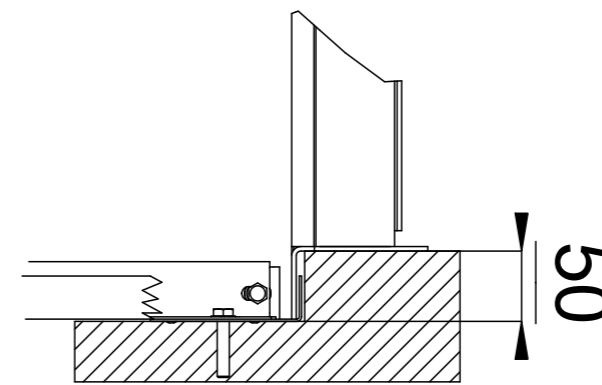
50 mm pit depth + 10 mm, - 0 mm.
Bottom surface must be flat



A1 (1:5)



A0 (1:5)

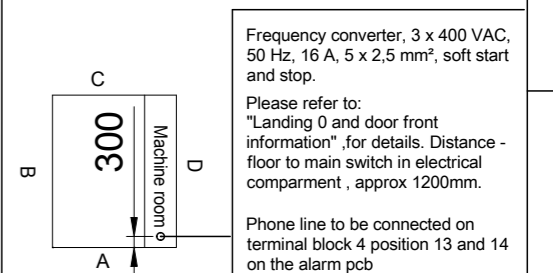


Door cut out

Incoming power supply is connected at landing: 0, side A

The following signals may be forwarded from the lift:
-Emergency signal: On the alarm pcb, the circuit between position 1 and position 2 on terminal board 4, is closed when the yellow alarm button is activated for 10 seconds.

-Summary alarm: Any operational errors (8 different) can be forwarded to a local alarm central or reception from terminal board 3, spaces 14 (N.C.), 15 (N.O.) and 16 (COM) on the alarm pcb.



Approved by builder:

European view placement:



Tender no
133367-W

Order no

Gen. Tolerances
SS-ISO 27681-1 m

Principal drawing
A 5000 - 1100*1467
Cut out sizes
Cibes A5000 single entry 1100 x 1500

Date	sheet	Scale:
2016-02-05	2 of 6	A3, 1:45