

Cibes A6000



Cibes A6000 is a spacious and elegant cabin lift that offers the perfect accessibility solution for public, commercial and private buildings.

Cabin Lift for existing shaft – Key features

- A Cabin lift for installation in existing brick/concrete shaft
- Sliding doors
- Auto-run operation
- Soft start and stop and emergency lowering from inside as standard
- No extra space for machinery room is required
- Engine noise is insulated for a quiet ride
- Quick installation time within 3-4 days
- Reliable screw driven operation
- Energy efficient
- Low maintenance cost
- Tactile push buttons with braille
- Mirror as option
- Control panel with emergency lighting
- Rated load 400 kg, 5 people
- Travel height 13 metres, 6 landings
- 70 mm pit
- Swedish design and quality

Cibes Lift develop, manufactures and sells a wide range of vertical platform lifts, cabin lifts and stairlifts for public and private environments. Our lifts are designed and manufactured in Sweden but our distribution network is worldwide.

Cibes Lift is committed to deliver smart, standardized lift solutions that are flexible enough to adapt to different markets and individual needs. The Cibes A6000 is a cabin lift designed to fit into existing shafts in all type of buildings. The lift is a cost-effective solution and a requested complement to Cibes Lift wide range of products.

The ideal cabin lift solution

The Cibes A6000 is a screw-driven, prefabricated cabin lift designed to fit into existing lift shafts. All elements of the lift are prefabricated and ready to install and you do not need to worry about extensive construction work. The pit depth is reduced to 70 mm and there is no need for a space consuming machine room. Everything you need fits into the existing shaft, making the Cibes A6000 an exceptionally space-efficient solution. The cabin is elegant and spacious, equipped for comfort with sliding doors and auto-run controls.

Fast to install and easy to maintain

Thanks to the smart engineering and construction of the Cibes A6000, a 2 stop lift can be installed within 3-4 days. In addition, the robust and reliable screw driven system of the Cibes A6000 means low maintenance cost.

Our latest technology with high quality finishes

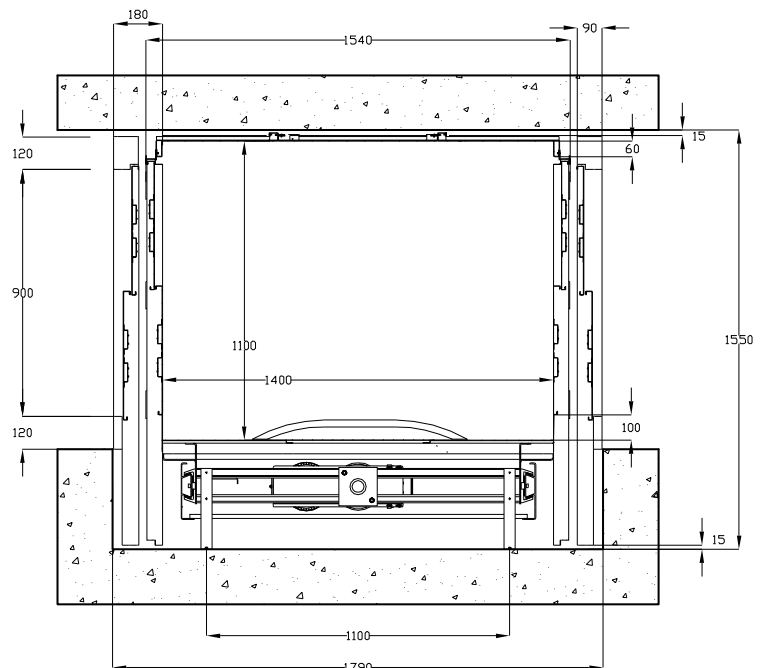
- Elegance and comfort with sliding doors and auto-run operation
- Soft start and stop and electrical emergency lowering
- Tactile push buttons with braille
- Control panel with emergency lightning system
- An integrated mirror on the lift car wall as option
- Insulated construction for a quiet ride
- 7" screen with a level indicator



Cibes A6000 Standard size, mm

Cabin size (WxDxH): 1100x1400x2200
Min dimension shaft single entry (WxD): 1550x1670
Min dimension open through (WxD): 1550x1790

The exact cut out sizes vary depending on the configuration of the lift, and site specifications, please consult your local distributor for more information.



TECHNICAL INFORMATION	Cibes A6000
Lift location	Indoors
Rated load	400 kg
Rated speed (m/sec)	Max 0.15
Travel height	< 13 m
Min.headroom at top landing	2700 mm
Pit depth	70 mm
Flooring	Altro Walkway Plus™ 20/Dark Grey
Cabin size (WxDxH)	1100x1400x2200 mm
Min dimension shaft single entry (WxD)	1550x1670 mm
Min dimension open through (WxD)	1550x1790 mm
Maximum number of stops	6
Standard cabin finish	Steel panels, white RAL 9016
Landing door	Telescopic, RAL 9016
Cabin doors	Telescopic, RAL 9016
Door configuration	Single-entry, open through
Clear door opening sizes (WxH)	900x2100 mm
Light curtain	Between cabin door and landing door
Driving system	Screw and nut
Control system	Microcomputer based system
Standard power supply	3x400VAC/3x230VAC 50/60 Hz 16 A
Motor power	4 KW
Control buttons	Automatic drive
Machine room	Integrated
In compliance with	European MD 2006/42/EC and applicable parts of EN 81-41 and EN 81-70
Manufactured in	Sweden

For more product details and information about the product and accessory selection, contact Cibes Lift AB.

This product information is general and we reserve the right to modify product design and specifications. No claims shall be construed as warranties or conditions, express or implied, of any product, its fitness for a particular purpose or quality. Minor deviations in color reproduction can occur.

© Cibes Lift AB 2015

Accessory and option

Our standard lifts meet the most common requirements and needs that may exist on the market. Your lift can be customized to fit your specific requirements with our wide range of accessories and options.

Our designs are constantly evolving and we are committed to delivering state of the art lift solutions that meet all safety requirements, while also being tailored to fit our customers' every need.

ACCESSORIES
LOCKING SYSTEM
School lock system at the landing doors (call button, key lock)
Key lock on door
Code lock with on/off function in the cabin
Code lock on/off function at landing doors
TELEPHONE
Intercom
GSM module
ALARM
Alarm signal
Possibility to connect a remote alarm device
Alarm beacon
EXTRA FUNCTION
Infrared remote control, max 4 landings
Arrival signal
Voice announcer
Remote call button
Externally fitted, elbow call button
Fire drive
Wall socket outlet in the electrical compartment

ACCESSORIES
CABIN
Control panel in stainless steel or any RAL color
Automatic light system
Mirror
DOOR
Powder coated door & frame in any RAL color
Fire rated doors E120
Level indicator on door front
FLOOR
Optional non-slip rubber carpet
Floor without carpet (for possibility to place flooring of own choice)
Ramp