

Cibes A6000S



Cibes A6000S is a spacious and elegant cabin lift that offers the perfect accessibility solution for public, commercial and private buildings.

Cabin Lift including own shaft – Key features

- Lift with shaft in painted white steel
- White swing door in steel on the landing, white folding doors in the lift car
- Soft start and stop and electrical emergency lowering as standard
- Integrated machine room
- Auto-run operation
- Integrated automatic door opener
- Engine noise is insulated for a quiet ride
- Quick installation time within 3-4 days
- Reliable screwdriven operation
- Energy efficient and low maintenance operation system
- Tactile push buttons with braille
- Automatic LED lighting with reduced power consumption
- Rated load 400 kg, 5 people
- Travel height 13 metres, 6 landings
- 70 mm pit or ramp
- Swedish design and quality



Cibes Lift develop, manufactures and sells a wide range of vertical platform lifts, cabin lifts and stairlifts for public and private environments. Our lifts are designed and manufactured in Sweden but our distribution network is worldwide.

Cibes Lift is committed to deliver smart, standardized lift solutions that are flexible enough to adapt to different markets and individual needs. The Cibes A6000S is a cabin lift with an own shaft for all type of buildings. A cost effective and space saving solution for residential and commercial buildings with demands for improving accessibility in existing and new environments.

The ideal cabin lift solution

The Cibes A6000S is an elegant and spacious cabin with a own shaft, screw-driven and fully equipped for highest comfort. All elements of the lift are prefabricated and ready to install and no need to worry about extensive construction work. The pit depth is reduced to 70 mm and the machine room is fully integrated. Cibes A6000S overcomes any issues created by space restrictions, while maintaining users security and comfort. Cibes A6000S is an ideal solution when conventional lifts not is an option.

Fast to install and easy to maintain

Thanks to the smart engineering and construction of the Cibes A6000S, a 2 stop lift can be installed within 3-4 days. In addition, the robust and reliable screw driven system of the Cibes A6000S means low maintenance cost. The lift can be installed almost anywhere and is the ideal solution in existing buildings requiring improved accessibility.

Our latest technology with high quality finishes

- White swing door in steel on the shaft, white folding doors in the car
- Soft start and stop and electrical emergency lowering
- Push buttons with tactile symbols
- Automatic door opener
- 7" screen with a level indicator

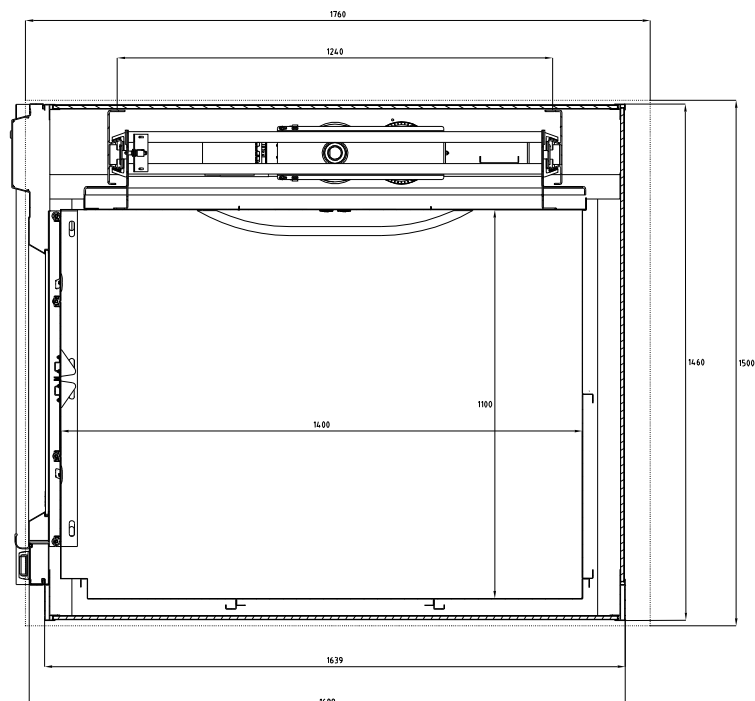
Cibes A6000S Standard size, mm

Cabin size (WxDxH): 1100x1400x2200

Lift shaft size (WxD): 1460x1639

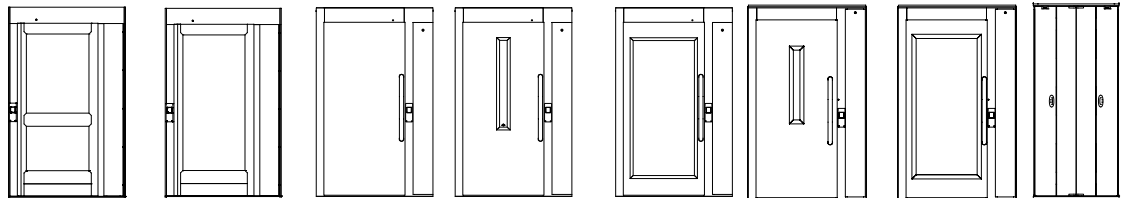
Cut out size (WxD): 1500x1760

The exact cut out sizes vary depending on the configuration of the lift, and site specifications, please consult your local distributor for more information.



TECHNICAL INFORMATION	Cibes A6000S
Lift location	Indoors
Rated load	400 kg
Rated speed (m/sec)	Max 0.15
Travel height	< 13 m
Min.headroom at top landing	2500 mm
Pit depth	70 mm
Cabin size (WxDxH)	1100x1400x2200 mm
Lift shaft size (WxD)	1460x1639 mm
Cut out size (WxD)	1500x1760 mm
Maximum number of stops	6
Standard shaft finish	Steel panels, white RAL 9016
Standard cabin finish	Steel panels, white RAL 9016
Landing door type	Hinged swing doors
Landing door clear opening size	900x2000 mm
Cabin door	Folding door
Driving system	Screw and nut with safety nut
Control system	CANbus microcomputer system
Standard power supply	3x400VAC/3x230VAC 50/60 Hz 16 A
Motor power	4 KW
Control buttons	Impuls control
Machine room	Integrated
In compliance with	European MD 2006/42/EC
Manufactured in	Sweden

For more product details and information about the product and accessory selection, contact Cibes Lift AB. This product information is general and we reserve the right to modify product design and specifications. No claims shall be construed as warranties or conditions, express or implied, of any product, its fitness for a particular purpose or quality. Minor deviations in color reproduction can occur.
© Cibes Lift AB 2014



Door name	AL3	AL4	A0	A10	A20	EI60*	EI60G*	AF0
Clear door opening size mm, (WxH)	900x2000**	900x2000**	900x2000	900x2000	900x2000	900x2000	900x2000	900x2100
Glass size mm, (WxH)	740x535/ 740x935	740x1600	-	90x1010	725x1590	75x800	700x1563	no glass
Door finish	Anodized alum.	Anodized alum.	Painted steel	Painted steel	Painted steel	Painted steel	Painted steel	Painted steel
Frame/RAL colour	Anodized alum.	Anodized alum.	9016	9016	9016	9016	9016	9016
Inbuilt door closer	STD	STD	STD	STD	STD	STD	STD	STD
Automatic door opener	External	External	External or concealed	External or concealed	External or concealed	External	External	STD
Door handle	Integrated in the door leaf	Integrated in the door leaf	Placed external	Placed external	Placed external	Placed external	placed external	Integrated in the door

* Fire rated doors in compliance with EN 81-58

** Door height of between 1800 to 2100 mm available as an extra option

Accessory and option

Our standard lifts meet the most common requirements and needs on the market. Your lift can be customized to fit your specific requirements with our wide range of accessories and options.

Our designs are constantly evolving and we are committed to delivering state of the art lift solutions that meet all safety requirements, while also being tailored to fit our customers' every need.

ACCESSORIES
LOCKING SYSTEM
School lock system at the landing doors (call button, key lock)
Code lock with on/off function in the car
Code lock on/off function at landing doors
TELEPHONE
Auto dialer
Intercom
GSM module
ALARM
Alarm signal
Possibility to connect a remote alarm device
Alarm beacon
FLOOR
Floor without carpet (for possibility to place flooring of own choice)
Optional non-slip rubber carpet
EXTRA FUNCTION
Infrared remote control, max 4 landings
Arrival signal
Voice announcer
Fire drive
External Electrical compartment
Socket in Electrical compartment

ACCESSORIES
CABIN
Control panel in stainless steel or any RAL color
Shaft panels powder coated in any RAL colour
Shaft ceiling LED lights
U-bracket
Shaft roof
Machine room cover plate
DOOR
Externally fitted, elbow door call button
Powder coated door & frame in any RAL-colour
Remote call button
Level indicator on door front
Concealed door opener
Steel door with vision panel
Fire rated doors EI60
Fire rated panoramic doors EI60G
Aluminium door with panoramic glass (AL4)
Aluminium door with divided panoramic glass (AL3)